



2GR SRL
www.2g-r.com
info@2g-r.com

USER MANUAL

Cod. 00465-EN Rev.00 del 26/06/2025

PRODUCER

2gr srl

Via Amos Verzelloni 14 - 42015 Correggio RE Italia
CCIAA RE n. 146710 - Reg.Imp. RE n. 9505
P.IVA - CF IT00905560355

DISTRIBUTOR / RESELLER

EXTERNAL BATH




ART. 465
External Bath Flexy

1. INTRODUCTION

First, we would like to thank you for choosing a 2GR product. These instructions have been created to provide a general understanding of the product, usage guidelines, maintenance procedures, and all necessary information for its PROPER FUNCTIONING.

2GR reserves the right to apply changes or improvements to its products and these instructions at any time, without obligation to update previous versions.

 The parts illustrated in these instructions are not interchangeable with parts from products already in the possession of the consumer/distributor. Interchangeability across different batches is not guaranteed. Retailers/wholesalers must provide these instructions to the end consumer at the time of sale.

Do not remove, tear out, or rewrite any part of this document. Store these instructions in a protected place for future reference. Keep the proof of purchase alongside these instructions.

2. RESPONSABILITY AND WARRANTY

Minimum legal warranty applies to manufacturing defects. For warranty replacement, the product must be returned ex-works, in its original packaging. Warranty does not cover products that:

- have been modified without explicit manufacturer authorization.
- were damaged during transport.
- have been improperly assembled.
- were used improperly or for purposes other than those stated.
- have had parts replaced with non-original components.
- have undergone normal wear and tear due to time.

3. LEGAL REFERENCES

The product complies with obligations under EU Regulation No. 2023/988 of 10 May 2023.

The product is identified by the article code.

4. SCOPE OF APPLICATION

These instructions apply to the products listed under the ARTICLE CODE/S section.

5. REPORTING / CLAIMS

Any feedback from consumers (e.g., complaints, incident, or safety reports) should be directed to the retailer/wholesaler who sold the product.

If the distributor/retailer receives such reports, they must forward them to the manufacturer without delay.

6. DESCRIPTION AND/OR GENERAL INFORMATION ABOUT THE PRODUCT

The Flexy bath, item code 465, is a foldable accessory designed to provide birds with a comfortable and safe place to bathe. Designed to easily fit most cages and aviaries, it is made with foldable iron mesh and durable plastic components. The foldable structure makes it extremely practical to store when not in use, taking up very little space. The design ensures stability during use, features a spring door, and includes a removable tray for easy water refilling.

7. TARGET CONSUMER CATEGORY

Product suitable for bird breeders aged 14 and older. Individuals with disabilities must be supervised during use.


8. ITEM CODE(S) AND IDENTIFICATION

Code 465 – Flexy external bath.

The product is identified by a label affixed to the primary packaging, indicating the product code mentioned above.

9. CONTENUTO DELLA CONFEZIONE

Upon receipt of the goods, check that the packaging is intact and undamaged. Place the package on the ground, open it, and verify that it contains two cages consisting of:

 The indicated quantities refer to one single cage.

		qt			qt
A	Galvanized and foldable iron grill	1	C	Plastic drawer	1
B	Plastic roof with hooks	1	D	Instructions	1

10. TECHNICAL SPECIFICATION

Product code	465	Product Weight	0,336 Kg
Barcode	8033844766193	Packaging Weight	2,96 Kg
Brand	2gr srl	Box of 2 pcs dimension in cm	39 x 25,5 x 29
Primary packaging	Carton box of 8 pcs	Max Operating Temperature	30°C
Product dimension	16,5 x 16,5 x 18h	Min Operating temperature	10°C
Mesh Material	Cold-electrolyzed galvanized iron	Max Operating Umidity	80%
Accessories Material	PP		
Colour	Galvanized grill, white roof and drawer		

11. PACKAGING QUANTITY

The primary box contain 8 pcs.

12. STORAGE (BEFORE USE)

Store in a dry place, away from direct heat sources and humidity. Avoid prolonged exposure to sunlight to preserve material quality.

13. DELIVERY CONDITION

Product is supplied dismounted.

14. PRODUCT CONDITION ON DELIVERY

If the product is damaged, incomplete, or shows any anomaly, do not use it. Contact the retailer for replacement.

No assembly required—only attach it to the cage.

15. PLACE OF USE

Avoid direct sunlight and heat sources (heaters, ovens, radiators) to prevent premature aging or material damage.

16. ACCESSORIES / OPTIONAL ITEMS

No optional accessories available.

17. ORIGIN

Made in Italy

18. INTENDED USE / PERMITTED USES / HOW TO USE

The Flexy bath 465 is intended exclusively for use by small birds kept in captivity, such as canaries, budgerigars, zebra finches, and similar species.

It is designed to:

- Allow the animal to take water baths, supporting proper feather hygiene
- Be installed in cages or aviaries with compatible openings
- Can be removed and folded after use to facilitate cleaning and storage.

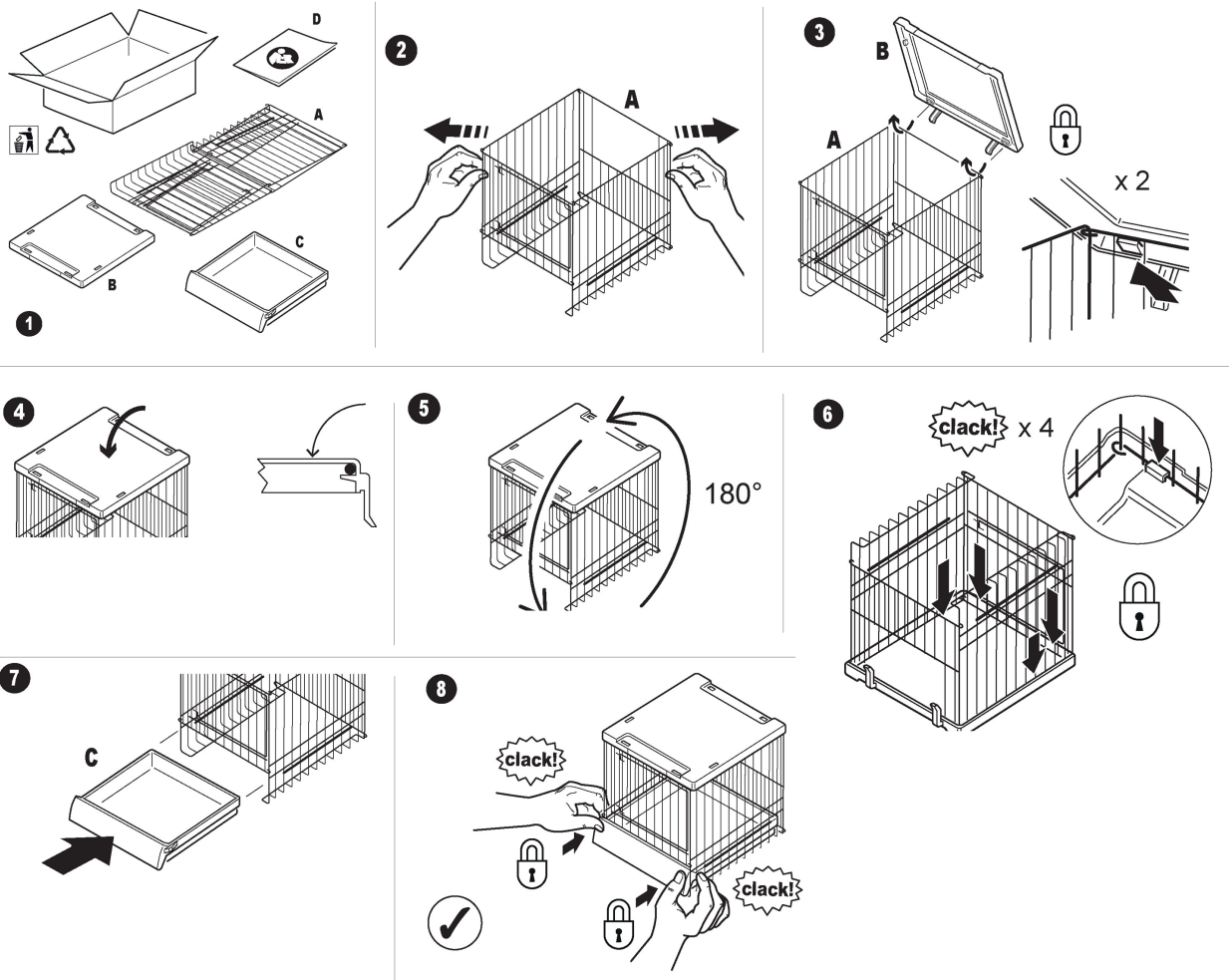
19. PROHIBITED USES

- Do not use the bath with animals whose size is not compatible with the product
- Not intended for species such as reptiles, amphibians, or large mammals
- Do not expose the product to weather conditions without adequate protection
- Do not make structural modifications that could compromise its safety
- Do not remove the doors or disassemble the springs
- Do not use the product for unrelated purposes, such as storing objects
- Keep out of reach of children or household pets to avoid damage or accidents
- Do not expose the product to heat sources, open flames, or excessive humidity, as it may deform or deteriorate
- Strictly prohibited for use in food-related environments for humans
- Do not use with animals other than birds (e.g., rodents, reptiles, etc.)
- Do not use to hold liquids other than clean water
- Do not use the product if it appears damaged, unstable, or deformed
- Do not force the foldable mechanism if it becomes stuck



20. ASSEMBLY

No tools are required. The cage features interlocking components. Assemble the cage (at room temperature, 20°C) according to the instructions illustrated below:



21. PRELIMINARY STEPS BEFORE USE

- Inspect the product before first use to ensure the structure is intact and free from defects.
- Fully open the bath, ensuring the foldable structure is stable and securely locked in position.
- Fill with clean water, not too cold or too hot (room temperature is recommended).
- Before attaching the bath to the cage, the user should fill it with no more than 1.5 cm of water, ensuring the water level is appropriate for the bird's size and needs.

22. WARNINGS

- Do not leave the bath attached if it is not being used regularly, to avoid water stagnation or dirt buildup.
- Always check that the attachment to the cage is secure before use.
- Do not use water containing chemical additives unless specifically approved for ornithological use.

Keep packaging materials and small parts out of reach of children and animals. In particular, cellophane bags may pose a suffocation risk. In case of a fall, inspect the product carefully before using it again.

Users must operate in safe conditions and avoid any potentially dangerous situations for themselves and others. Strictly adhere to the intended use defined herein; any other use is PROHIBITED and therefore considered improper.

Vulnerable and/or highly vulnerable individuals may approach the product only if supervised by a responsible adult.

The bath contains a small amount of water; however, accidental leakage may still cause damage to underlying materials that are highly sensitive to moisture. Therefore, we recommend positioning the product—or the cage to which it is attached—accordingly.

23. PRODUCT LIFESPAN

If installed and used in accordance with the instructions provided, the product will last at least 1 year.

24. MAINTENANCE / CLEANING

To ensure greater durability, regular maintenance is recommended:

- Clean with lukewarm water and a mild, neutral detergent
- Do not wash any parts in the dishwasher
- Do not use hot water above 40°C
- Wash separately from items used for other purposes (e.g., food-related items)
- Do not dry the product using heat sources such as an oven, hair dryer, or direct sunlight, to prevent warping or damage to the materials
- Use only soft cloths to avoid scratching or damaging the product's surface

25. STORAGE DURING TEMPORARY NON-USE

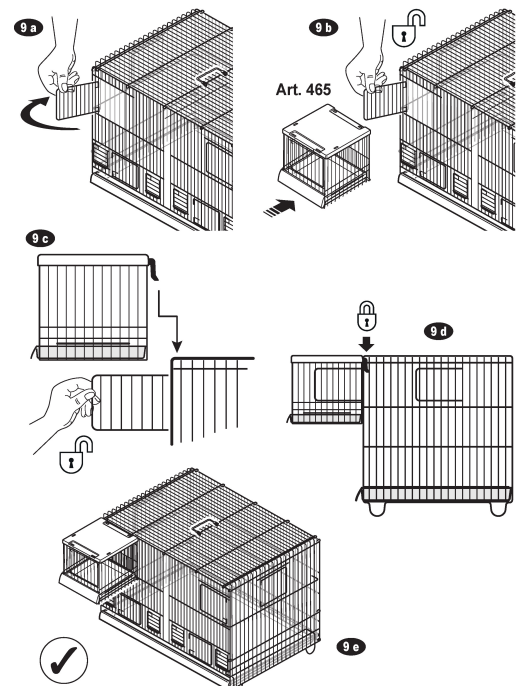
Before storing the product, thoroughly clean all parts with lukewarm water and a mild detergent.

Dry all parts completely to prevent mold or unpleasant odors.

Once dry, store the product in a dry place, away from moisture and direct heat sources, to preserve its condition over time.

26. DISPOSAL

Dispose of the product according to the local regulations in force at the place of use.



If you do not have access to the internet and cannot download the user instructions from www.2g-r.com, please contact the retailer from whom you purchased the product to request a printed copy before use. The retailer is required to provide you with printed instructions upon request.